

APPLITEC

IN-Line

2015
Additional
products



Applitec Moutier S.A.
Ch. Nicolas-Junker 2
CH-2740 Moutier



APPLITEC
SWISS TOOLING

Tél. +41 32 494 60 20
Fax +41 32 493 42 60
www.applitec-tools.com

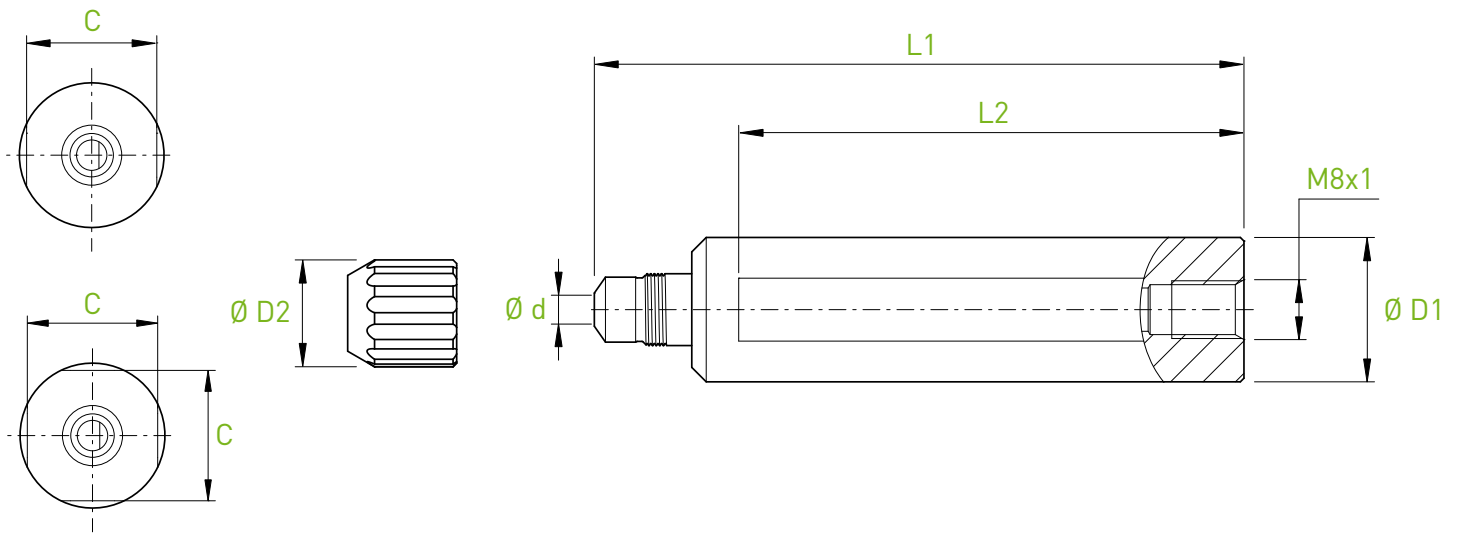
IN-Line

Porte-outils

Halter

Holder

BH4...

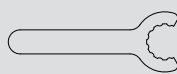


d	D1	D2	L1	L2	C			Bars	Art. N°
4	10	14.8	75	55	8.8	■		BH4...	BH4-D10-75
	12	14.8	75	55	11.2	■			BH4-D12-75
	12.7	14.8	75	55	11.2	■			BH4-D12.7-75
	15.875	14.8	75	55	14.0		■		BH4-D15.87-75
	16	14.8	75	55	14.0	■			BH4-D16-75
	16	14.8	75	55	14.0		■		BH4-D16-75-F4 NEW
	19.05	14.8	75	55	17.0	■			BH4-D19.05-90
	20	14.8	90	70	18.0	■			BH4-D20-90
	20	14.8	90	70	18.0		■		BH4-D20-90-F4 NEW
	20	14.8	160	140	18.0		■		BH4-D20-160-F4 NEW
	22	14.8	90	70	20.0	■			BH4-D22-90
	22	14.8	90	70	20.0		■		BH4-D22-90-F4 NEW
	22	14.8	130	110	20.0		■		BH4-D22-130-F4 NEW
	25	14.8	100	80	23.0	■			BH4-D25-100
	25	14.8	100	80	23.0		■		BH4-D25-100-F4 NEW
	25	14.8	170	150	23.0		■		BH4-D25-170-F4 NEW
25.4	14.8	100	80	23.4	■		BH4-D25.4-100		
28	14.8	100	80	26.0	■		BH4-D28-100 NEW		

Pièces de rechange
Ersatzteile
Spare parts



Art. N°



Art. N°

BH4...

BH4-M10

C-BH4-M10

Option



Art. N°

BH4...

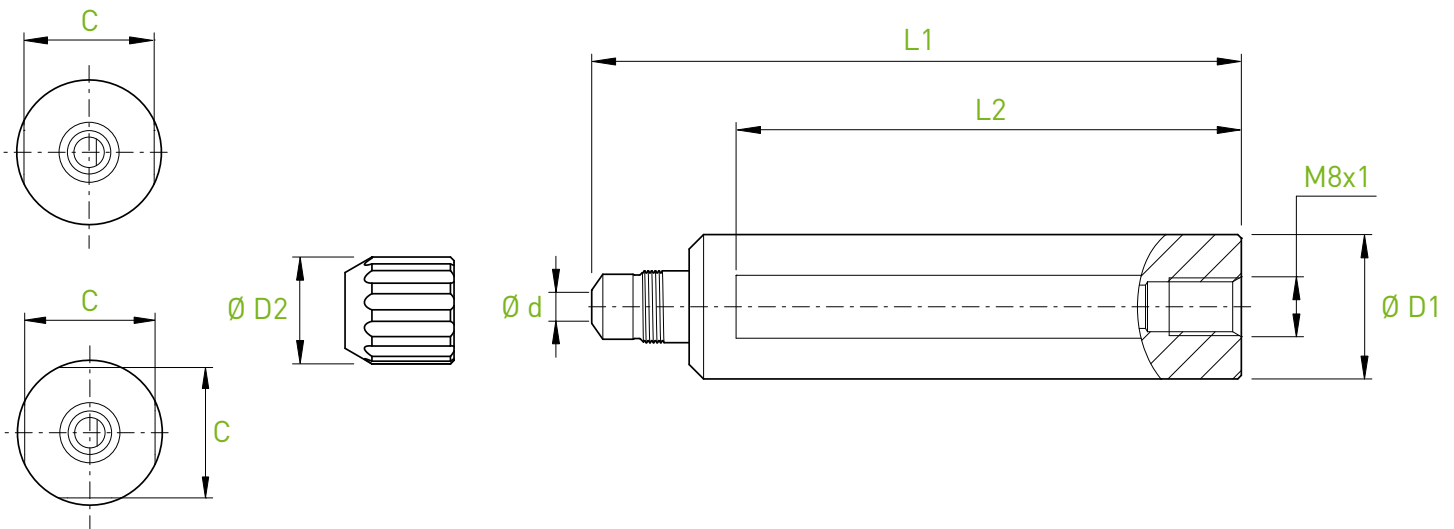
J-M8x1-D6

Porte-outils

Halter

Holder

BH6...



d	D1	D2	L1	L2	C			Bars	Art. N°
6	12	15.8	75	55	11.2	■		BB6...	BH6-D12-75
	12.7	15.8	75	55	11.2	■			BH6-D12.7-75
	15.87	15.8	75	55	14.0	■			BH6-D15.87-75
	16	15.8	75	55	14.0	■			BH6-D16-75
	19.05	15.8	90	70	17.0	■			BH6-D19.05-90
	20	15.8	90	70	18.0	■			BH6-D20-90
	20	15.8	90	70	18.0		■		BH6-D20-90-F4 NEW
	20	15.8	160	140	18.0		■		BH6-D20-160-F4 NEW
	22	15.8	90	70	20.0	■			BH6-D22-90
	22	15.8	90	70	20.0		■		BH6-D22-90-F4 NEW
	22	15.8	130	110	20.0		■		BH6-D22-130-F4 NEW
	25	15.8	100	80	23.0	■			BH6-D25-100
	25	15.8	100	80	23.0		■		BH6-D25-100-F4 NEW
	25	15.8	170	150	23.0		■		BH6-D25-170-F4 NEW
	25.4	15.8	100	80	23.4	■			BH6-D25.4-100
28.0	15.8	100	80	26.0	■		BH6-D28-100 NEW		

Pièces de rechange
Ersatzteile
Spare parts



Art. N°



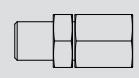
Art. N°

BH6...

BH6-M12

C-BH6-M12

Option



Art. N°

BH6...

J-M8x1-D6

■ = disponible / verfügbar / available

□ = selon disponibilité du stock / jenach Lagerverfügbarkeit / depending the stock availability

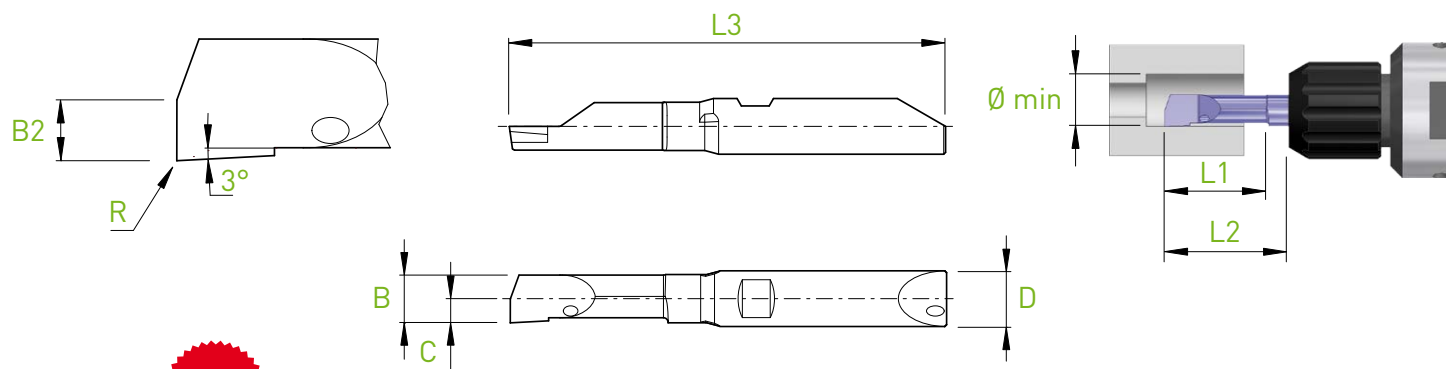
IN-Line

Alésage

Ausbohren

Boring

BA

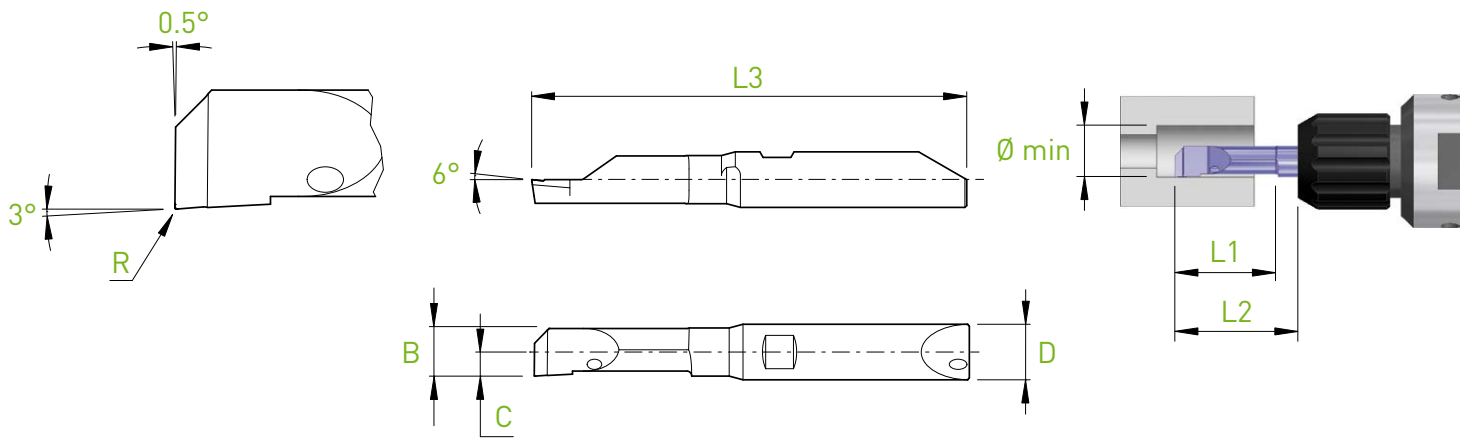


NEW

D	Ø min	L1	L2	B	B2	C	R	L3	Holder	Art. N°	ZTAF	ZN
4	0.3	0.9	10.2	0.27	0.13	0.15	0	32	BH4...	BB4R-0309-BA	■	■
	0.4	1.2	10.2	0.36	0.18	0.20	0	32		BB4R-0412-BA	■	■
	0.5	1.5	10.2	0.45	0.22	0.25	0	32		BB4R-0515-BA	■	■

Alésage
Ausbohren
Boring

BAX



D	Ø min	L1	L2	B	C	R	L3	Holder	Art. N°	ZTAF	ZN
4	0.5	1.5	10.2	0.45	0.25	0	32	BH4...	BB4R-0515-BAX	■	■ NEW
	0.6	1.8	10.2	0.54	0.30	0	32		BB4R-0618-BAX	■	■ NEW
	0.7	2.1	10.2	0.63	0.35	0	32		BB4R-0721-BAX	■	■ NEW
	0.8	2.4	10.2	0.72	0.40	0	32		BB4R-0824-BAX	■	■ NEW
	0.9	2.7	10.2	0.81	0.45	0	32		BB4R-0927-BAX	■	■ NEW
	1.0	3.0	10.2	0.90	0.60	0.02	32		BB4R-1030-BAX-R02	■	■
		5.0	10.2	0.90	0.60	0.02	32		BB4R-1050-BAX-R02	■	■
	1.5	4.5	10.2	1.35	0.65	0.02	32		BB4R-1545-BAX-R02	■	■
		7.5	10.2	1.35	0.65	0.02	32		BB4R-1575-BAX-R02	■	■
	2.0	6.0	10.2	1.80	1.15	0.02	32		BB4R-2060-BAX-R02	■	■
		10.0	15.2	1.80	1.15	0.02	37		BB4R-20100-BAX-R02	■	■
	2.5	7.5	10.2	2.25	1.30	0.05	32		BB4R-2575-BAX-R05	■	■
		12.5	15.2	2.25	1.30	0.05	37		BB4R-25125-BAX-R05	■	■
	3.0	9.0	15.2	2.70	1.35	0.05	37		BB4R-3090-BAX-R05	■	■
15.0		20.2	2.70	1.35	0.05	42	BB4R-30150-BAX-R05	■	■		
3.5	10.5	15.2	3.15	1.60	0.05	37	BB4R-35105-BAX-R05	■	■		
	17.5	20.2	3.15	1.60	0.05	42	BB4R-35175-BAX-R05	■	■		
6	4.0	12.0	20.2	3.80	2.20	0.05	47	BH6...	BB6R-40120-BAX-R05	■	■
		20.0	30.2	3.80	2.20	0.05	57		BB6R-40200-BAX-R05	■	■
	4.5	13.5	20.2	4.28	2.30	0.05	47		BB6R-45135-BAX-R05	■	■
		22.5	30.2	4.28	2.30	0.05	57		BB6R-45225-BAX-R05	■	■
	5.0	15.0	20.2	4.75	2.40	0.05	47		BB6R-50150-BAX-R05	■	■
		25.0	30.2	4.75	2.40	0.05	57		BB6R-50250-BAX-R05	■	■
	5.5	16.5	20.2	5.15	2.60	0.05	47		BB6R-55165-BAX-R05	■	■
		27.5	30.2	5.15	2.60	0.05	57		BB6R-55275-BAX-R05	■	■

■ = disponible / verfügbar / available

□ = selon disponibilité du stock / jenach Lagerverfügbarkeit / depending the stock availability

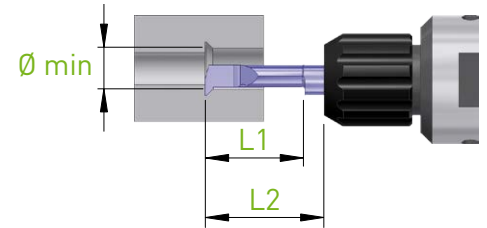
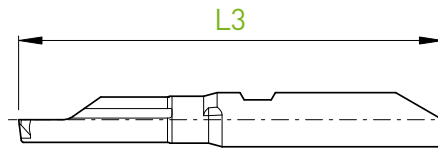
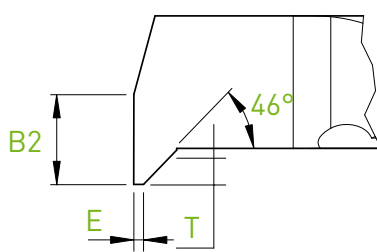
IN-Line

Copiage

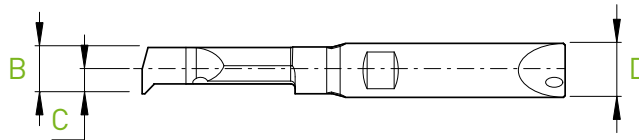
Kopieren

Chambering

C45



NEW



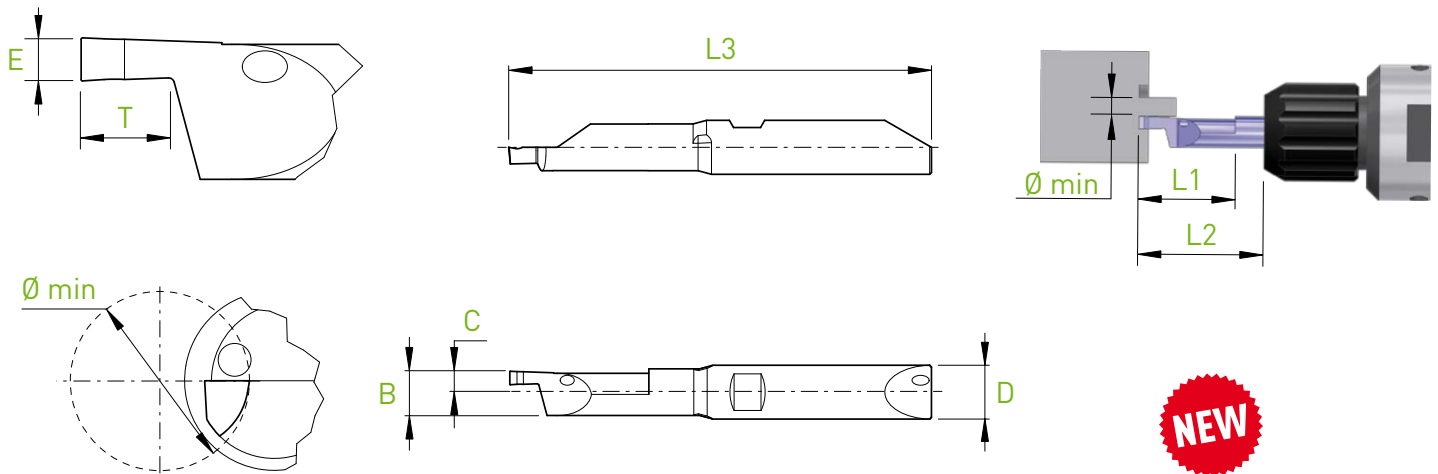
D	Ø min	L1	L2	T	B	B2	C	E	L3	Holder	Art. N°	ZTAF	ZN
4	0.3	0.6	10.2	0.05	0.27	0.13	0.15	0.03	32	BH4...	BB4R-0306-C45-E03	■	■
	0.4	0.8	10.2	0.07	0.36	0.18	0.20	0.03	32		BB4R-0408-C45-E03	■	■
	0.5	1.0	10.2	0.08	0.45	0.22	0.25	0.03	32		BB4R-0510-C45-E03	■	■
	0.8	1.6	10.2	0.14	0.72	0.36	0.40	0.05	32		BB4R-0816-C45-E05	■	■
	1.0	3.0	10.2	0.17	0.90	0.45	0.70	0.10	32		BB4R-1030-C45-E10	■	■
	1.5	4.5	10.2	0.25	1.35	0.67	0.75	0.10	32		BB4R-1545-C45-E10	■	■
	2.0	6.0	10.2	0.34	1.80	0.90	1.15	0.20	32		BB4R-2060-C45-E20	■	■
	3.0	9.0	15.2	0.51	2.70	1.35	1.35	0.30	37		BB4R-3090-C45-E30	■	■
6	4.0	12.0	20.2	0.68	3.80	1.90	2.30	0.40	47	BH6...	BB6R-40120-C45-E40	■	■
	5.0	15.0	20.2	0.85	4.75	2.37	2.50	0.50	47		BB6R-50150-C45-E50	■	■

Gorge frontale extérieure

Aussen axiales stechen

External axial grooving

FEG



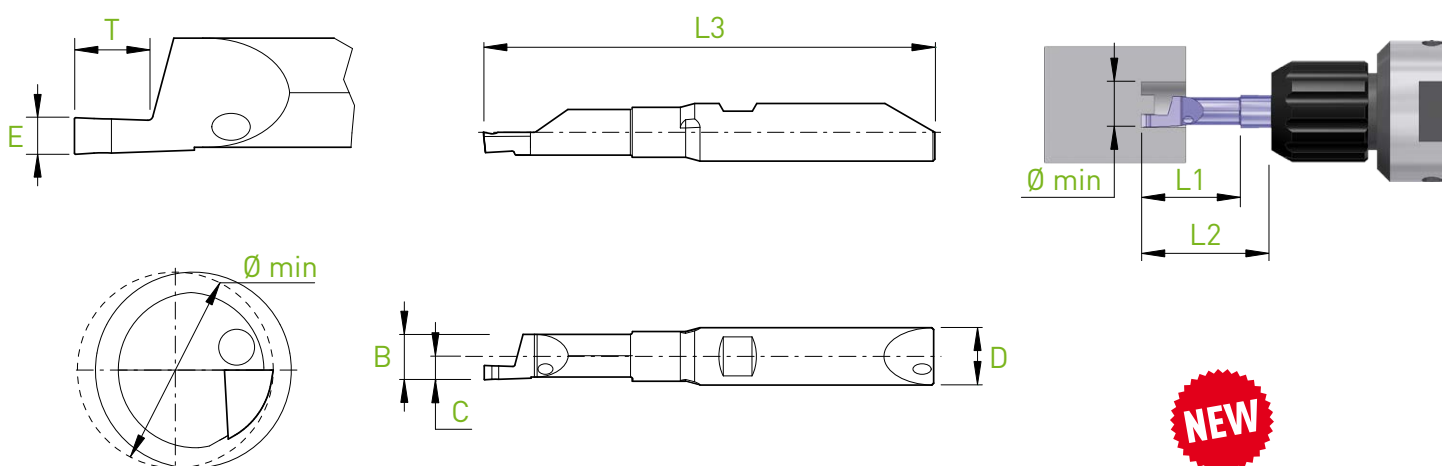
D	Ø min	L1	L2	T	B	C	E	L3	Holder	Art. N°	ZTAF	ZN
6	5.0	15.0	20.2	3.00	4.90	2.30	1.50	47	BH6...	BB6R-50150-FEG150X	■	■

Gorge frontale intérieure

Innen axiales stechen

Internal axial grooving

FIG



D	Ø min	L1	L2	T	B	C	E	L3	Holder	Art. N°	ZTAF	ZN
6	5.0	15.0	20.2	3.00	4.75	2.45	1.50	47	BH6...	BB6R-50150-FIG150X	■	■

■ = disponible / verfügbar / available

□ = selon disponibilité du stock / jenach Lagerverfügbarkeit / depending the stock availability

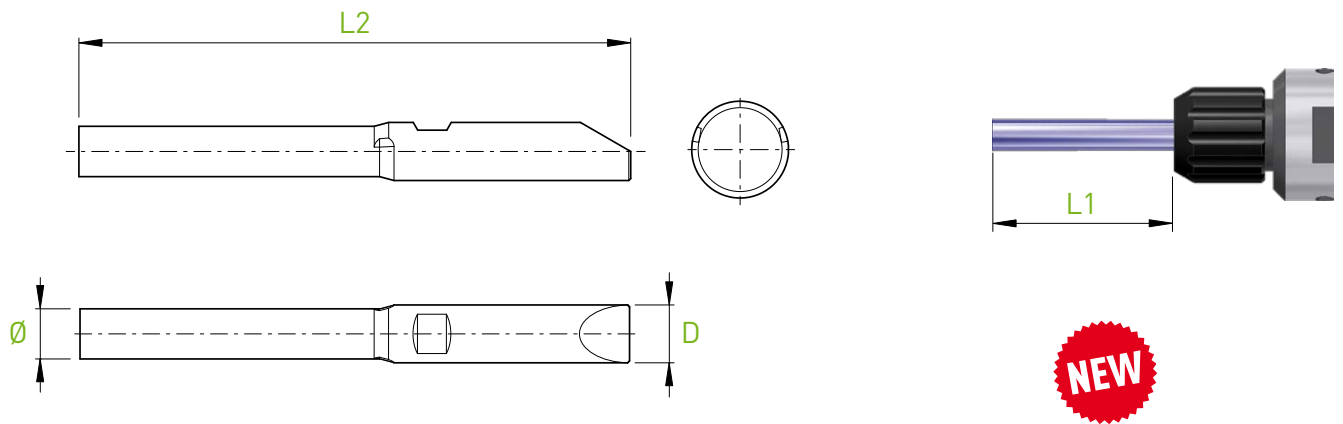
IN-Line

Ebauche

Rohling

Blank

BBE



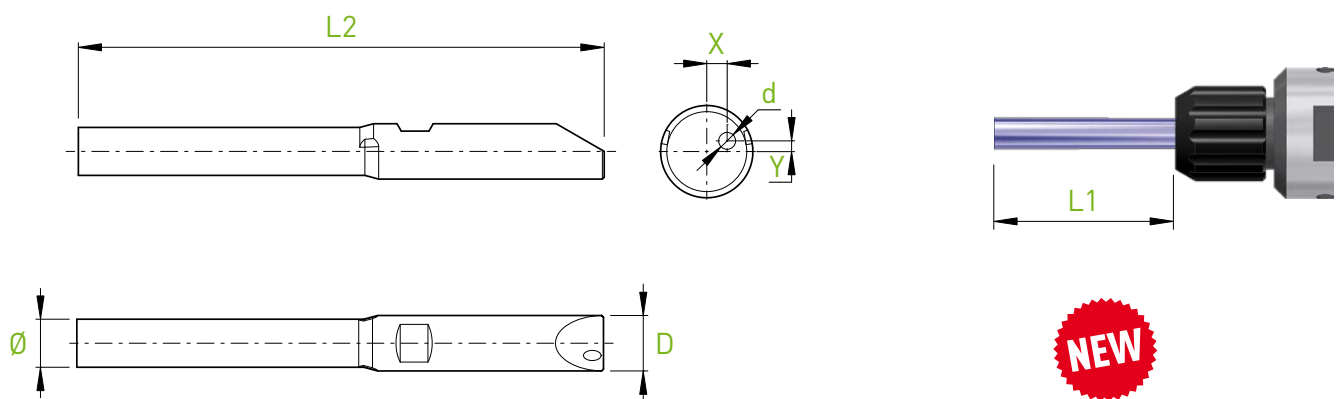
D	L1	Ø	L2	Holder	Art. N°	ZTAF	ZN
4	20.2	3.20	42	BH4...	BB4-E42		■
6	30.2	5.20	57	BH6...	BB6-E57		■

Ebauche avec arrosage

Rohling mit Kühlung

Blank with coolant

BBE-J



D	L1	Ø	X	Y	d	L2	Holder	Art. N°	ZTAF	ZN
4	20.2	3.20	0.84	0.55	0.85	42	BH4...	BB4R-E42-J		■
6	30.2	5.20	1.33	0.70	1.10	57	BH6...	BB6R-E57-J		■